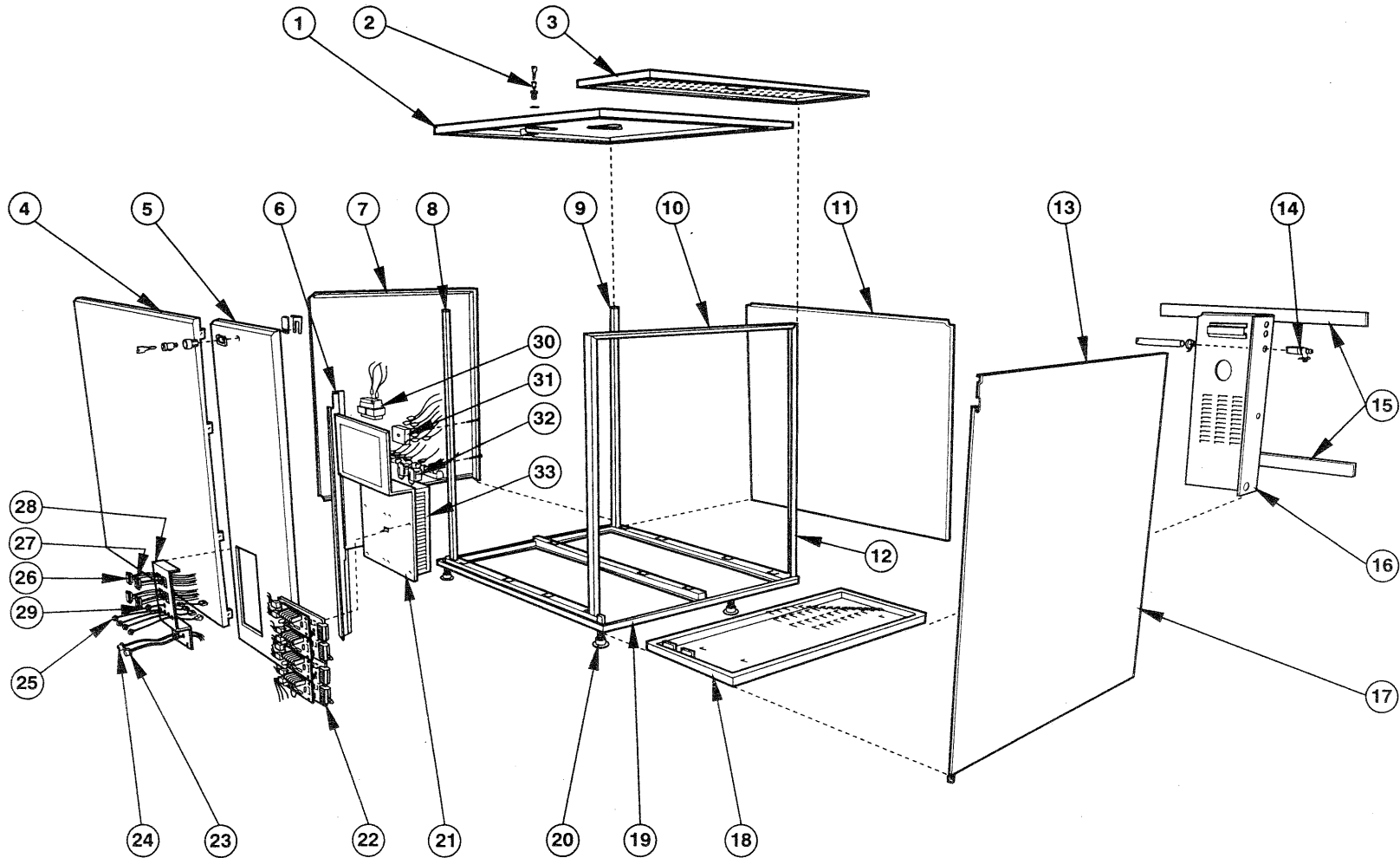


Replacement Parts

GH Series

GH Series Replacement Parts

Item #	Description	GH 100	GH 200	GH 400
1	Knob, Tank lid -Hold down	170-8828	170-8828	170-8828
2	Tank Lid Assembly	170-5010	170-5012	170-5014
3	Gasket, Tank Lid	170-8201	170-8210	170-8214
4	Gasket, Exhaust manifold	n/a	170-8212	170-8216
5	Exhaust Manifold	n/a	170-5025	170-5026
6	Sensor, Stack Hi-Limit Manual Reset	170-3202	170-3202	170-3202
7	Float Replacement Assembly	170-9602	170-9602	170-9602
8	Gasket, Float Chamber	170-8207	170-8207	170-8207
9a	Blowdown Assembly	170-1820	170-1822	170-1822
9b	Blowdown Assembly DI	170-1821	170-1823	170-1823
10a	Plumbing Drain Assembly	170-1801	170-1801	170-1801
10b	Plumbing Drain Assembly DI	170-1802	170-1802	170-1802
11	Float Chamber Body	170-5074	170-5074	170-5074
12a	Ignition Module, Main 2466H	170-2501	170-2501	170-2501
12b	Ignition Module, Auxiliary 2465H	n/a	170-2502	170-2502
13	Switch, Air Proving single can	170-3702	170-3702	170-3702
14	Bracket, Ignition Control	170-5860	170-5860	170-5860
15	Manifold, Gas Intake	n/a	170-1292	170-1293
16a	Valve, Gas Neg-Reg	170-2201	170-2201	170-2201
16b	Valve, Gas Neg-Reg High Alt.	170-2203	170-2203	170-2203
17	Blower 24V dc	170-2104	170-2104	170-2104
18	Sensor, Flame Proving	170-2450	170-2450	170-2450
19a	Igniter, Hot Surface Unshielded	170-2401	170-2401	170-2401
19b	Igniter, Hot Surface Shielded	170-2402	170-2402	170-2402
20a	Gasket, Igniter (Unshielded)	170-8218	170-8218	170-8218
20b	Gasket, Igniter (Shielded)	170-8218	170-8218	170-8218
21	Burner Assembly, 24V Blower	170-5082	170-5082	170-5082
22	Gasket, burner-blower 24V	170-8208	170-8208	170-8208
23	Gasket, Burner plate	170-8206	170-8206	170-8206
24	Accessory Panel Assembly	170-5020	170-5022	170-5024
25	Baffle, Heat Exchanger	170-5030	170-5030	170-5030
26	Insulation, Baffle	170-8107	170-8107	170-8107
27	Gasket, Accessory Panel	170-8202	170-8202	170-8202
28	Tank Weld Assembly	170-5000	170-5002	170-5004



Replacement Parts
GH Series

GH Series Replacement Parts

Item #	Description	GH 100	GH 200	GH 400
1	Cabinet top door	170-7122	170-7222	170-7422
2	Lock, c/w Keys	185-3104	185-3104	185-3104
3	Cabinet top panel	170-7104	170-7204	170-7404
4	Cabinet front panel	170-7101	170-7101	170-7101
5	Cabinet front door	170-7124	170-7124	170-7124
6	Cabinet door bracket front	170-7131	170-7131	170-7131
7	Cabinet left door	170-7121	170-7221	170-7421
8	Frame left front	170-7141	170-7141	170-7141
9	Frame left rear	170-7143	170-7143	170-7143
10	Frame right front	170-7142	170-7242	170-7442
11	Cabinet left rear panel	170-7102	170-7102	170-7102
12	Frame right rear	170-7144	170-7144	170-7144
13	Cabinet right door	170-7123	170-7223	170-7423
14	Valve fill	135-3032	135-3037	170-4202
15a	Bracket, Stiffening/Mounting	170-7133	170-7233	170-7233
15b	Bracket, Wall (not shown)	170-7134	n/a	n/a
16	Cabinet right rear panel	170-7105	170-7205	170-7205
17	Cabinet door right	170-7123	170-7223	170-7423
18	Cabinet right base	170-7106	170-7206	170-7406
19	Cabinet left base	170-7103	170-7203	170-7403
20	Leg-Foot Assembly	170-8890	170-1001	170-1001
21	Electrical Component panel	170-7996	170-7996	170-7996
22	Blower Controller	170-3040	170-3055	170-3080
23	Potentiometer 10.0 K ohm (for Output)	170-3952	170-3952	170-3952
24	Potentiometer 1.0 M ohm (for Blowdown)	170-3950	170-3950	170-3950
25	LED (Burner) Replacement Assembly	170-9604	170-9604	170-9604
26a	Lamp green	132-3096	132-3096	132-3096
26a	Lamp amber	132-3098	132-3098	132-3098
27	Switch rocker SPDT	132-3097	132-3097	132-3097
28	Electrical Interface panel	170-7990	170-7991	170-7992
29	LED (Stack) Replacement Assembly	170-9605	170-9605	170-9605
30	Transformer 120/24 40VA	170-3120	170-3120	170-3120
31	Timer 0.5-10 min D.on break	170-3102	170-3102	170-3102
32a	Relay DPDT 24V	145-3020	145-3020	145-3020
32b	Relay 4PDT 24V latch	n/a	n/a	149-3005
33	Power Supply 24VDC	170-3602	170-3650	170-3655