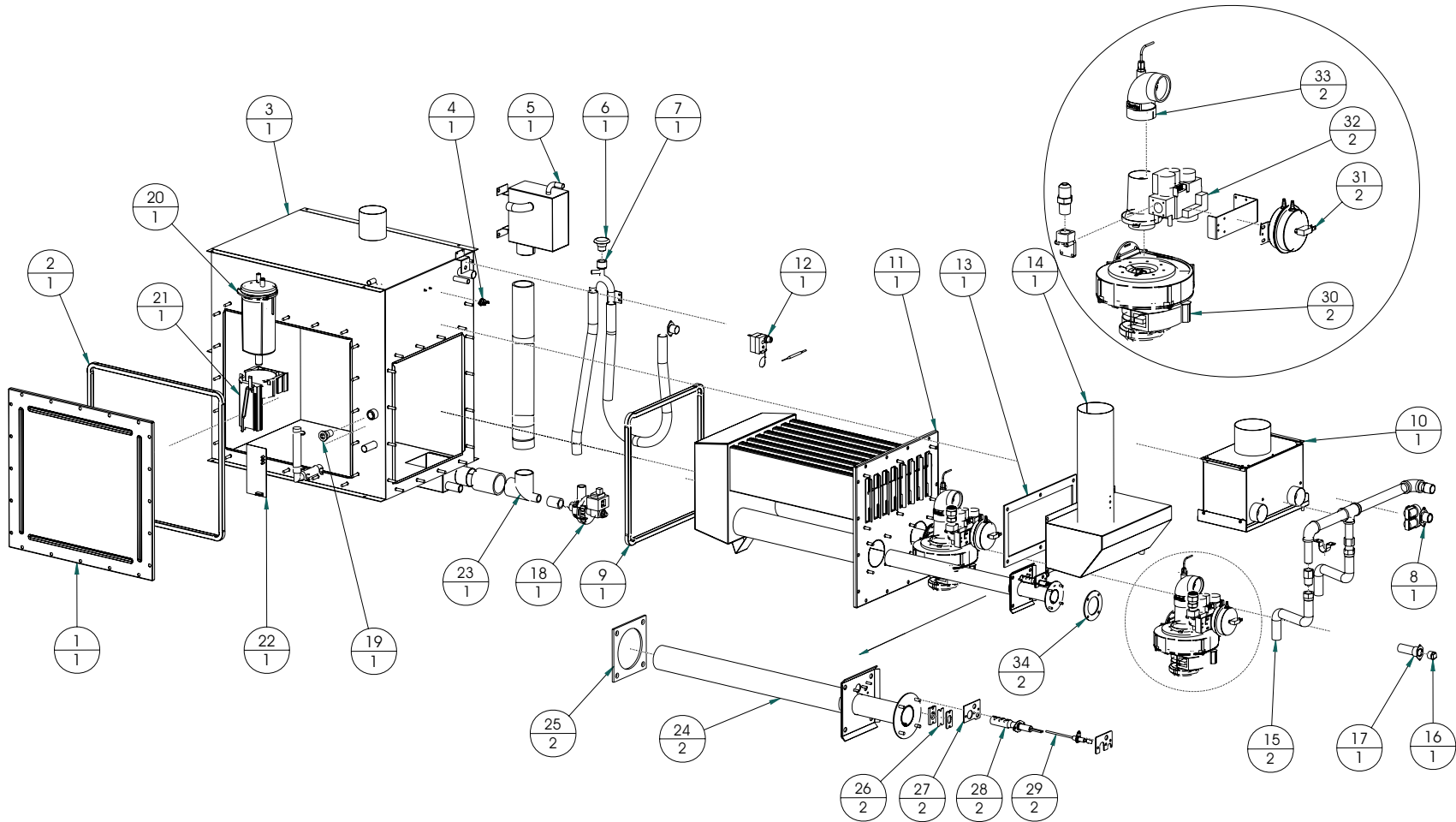
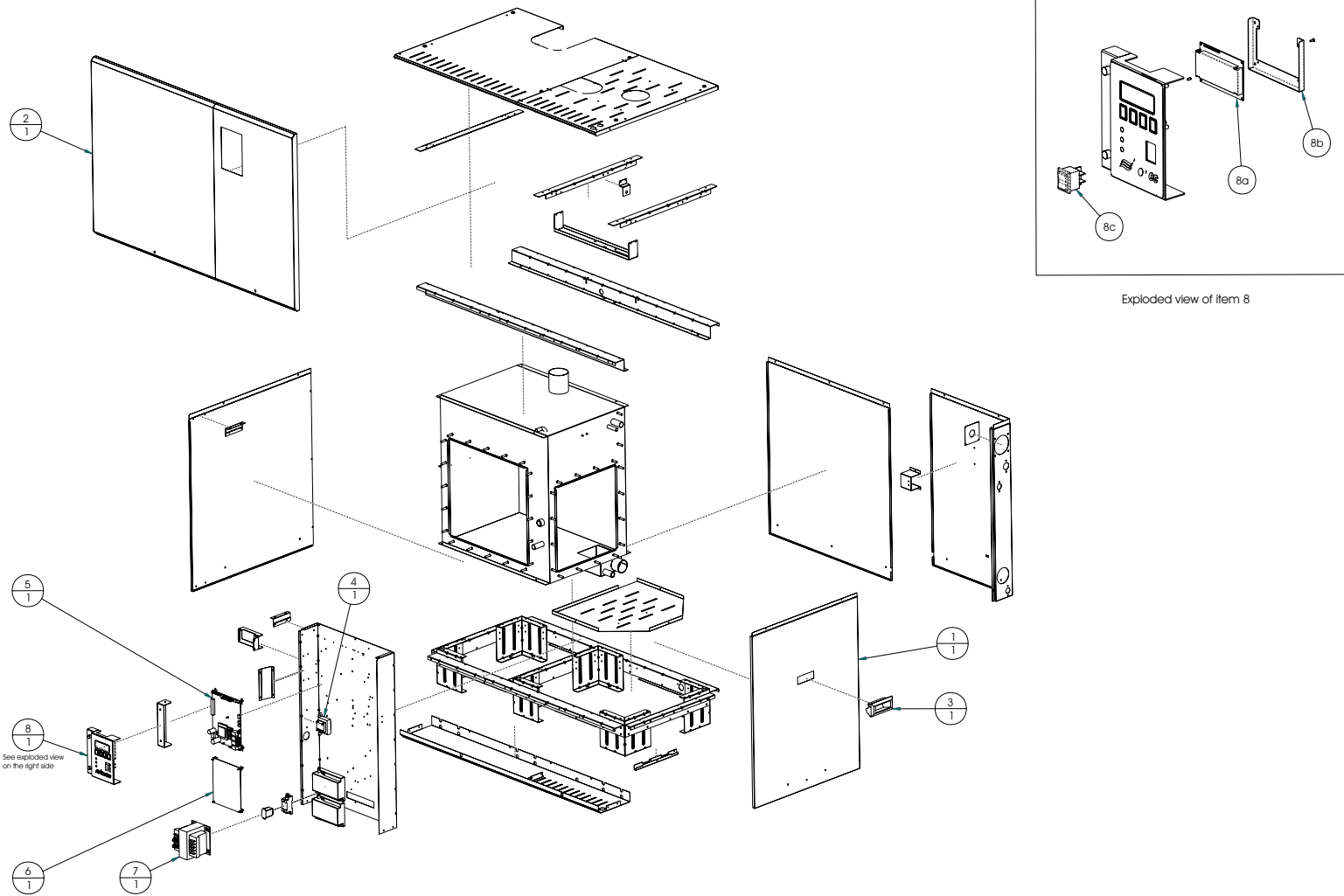


NOTE: WATER HOSES NOT SHOWN FOR GRAPHICAL CLARITY. REFER TO PARTS LIST.

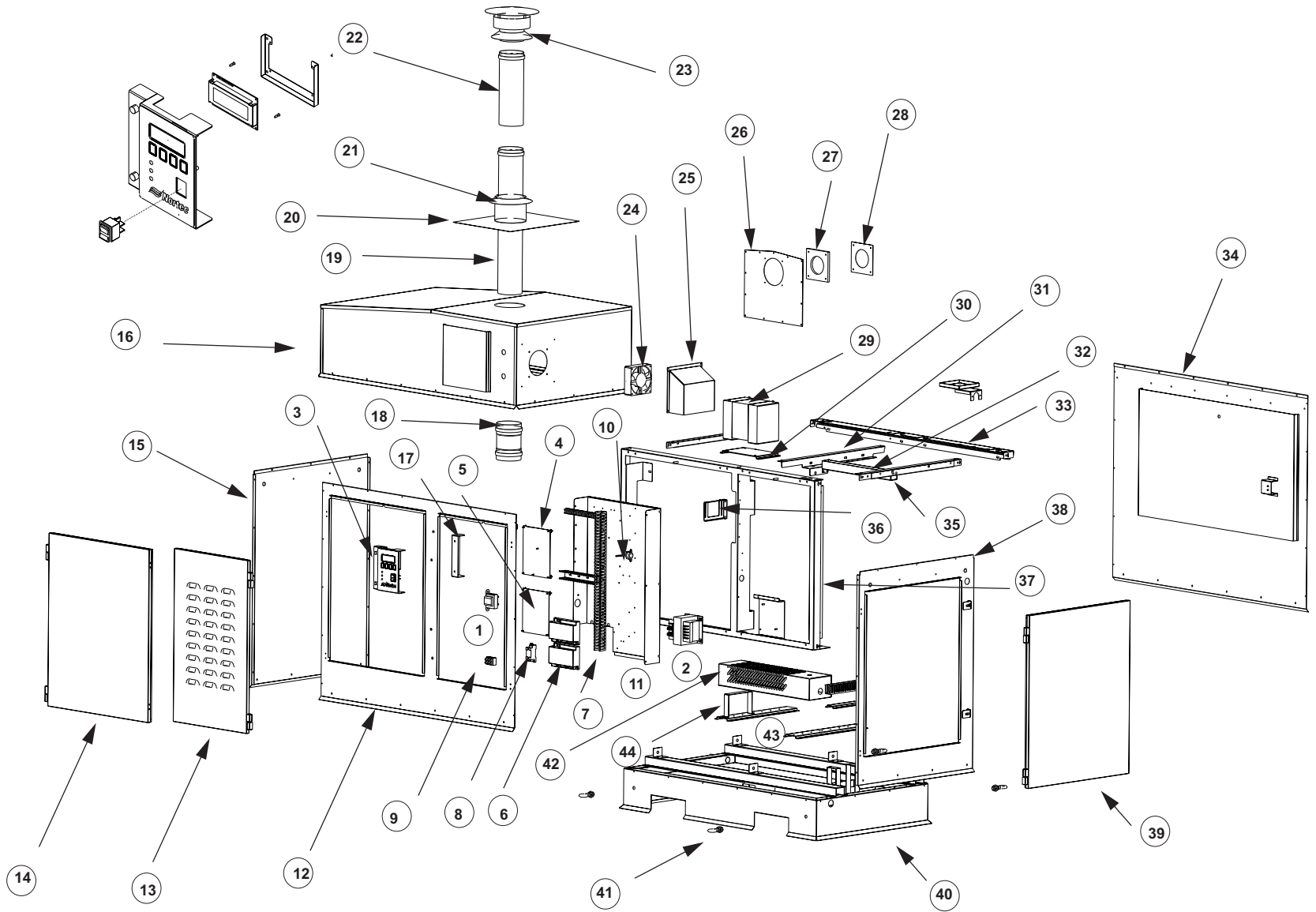


- 63 -





Item	Part Number	Title	Qty	Item	Part Number	Title	Qty
1	2525209	Base Assy, Single, GS-SE, B-style	1	24	2523552	KEYPAD STIFFENER, GS-SE, B STYLE	1
2	2523439	TANK ASSEMBLY, GH5-6, GHE20-24, SE	1	25	1506950	DISPLAY PANEL BRACKET, GS SERIES	1
3	2524394	PANEL, LEFT, SINGLE CABINET, GS-SE, B STYLE	1	26	1508357	SETC LOGIC BOARD ASSM	1
4	2524402	SERVICE DOOR, SINGLE CABINET, GS-SE, B STYLE	1	27	2525914	Ignition Module, 120V, CSA, GS Series	2
5	2523593	PANEL,TANK REAR, CABINET, GS-SE, B STYLE	1	28	1703250	Relay Mount Socket	1
6	2523590	PANEL, REAR ELECTRICAL, CABINET, GS-SE, B STYLE	1	29	1504760	I/O BOARD, GS-SE SERIES	1
7	2523592	PANEL, UNIT FRONT, CABINET, GS-SE, B STYLE	1	30	1504859	Transformer 120/24 Vac 150VA	1
8	2524398	PANEL, ELECTRICAL BOTTOM, SINGLE, GS-SE, B STYLE	1	31	1505760	Transformer 24V / 16VAC 15VA 50-60Hz	1
9	2524399	PANEL, ELECTRICAL TOP, SINGLE, GS, B STYLE	1	32	1453020	RELAY DPDT, SECURITY CHAIN	1
10	2524396	PANEL, TANK TOP, SINGLE CABINET, GS-SE, B STYLE	1				
11	2524392	FRAME, CROSS, SINGLE CABINET, GS-SE, B STYLE	3				
12	2523596	BRACKET, HI- LIMIT SWITCH MOUNT, GS, B STYLE	1				
13	2523460	HANGER, INLET GAS OR STEAM, GS-SE SERIES	1				
14	2523470	FRAME , TOP, CABINET, GS-SE, B STYLE	2				
15	2523591	BRACKET, P-TRAP MOUNT, GS-SE, B STYLE	1				
16	2524382	SUPPORT PLATE, 0.75 NPT GAS, GS, B STYLE	1				
17	2523597	DOOR FRONT, CABINET, GS-SE, B STYLE	1				
18	2523589	PANEL, ELECTRICAL CABINET, GS-SE, B STYLE	1				
19	2523595	LOCKING TAB, CABINET, GS-SE, B STYLE	1				
20	2523463	BRACKET, FLOAT CHAMBER MOUNT, GS-SE, B STYLE	1				
21	2523444	Recessed Handle, Plastic, 3.5in wide	1				
22	2523594	SUPPORT TAB, CABINET, GS-SE, B STYLE	2				
23	1506213	Display Panel Assy, GSTC-SETC	1				
23a	1504549	LCD Display, 4x20 line, backlight, GS	1				
23b	1506027	LCD Mounting Bracket, GS-SE Series	1				
23c	1453001	Switch On-Off Drain	1				



GS Outdoor Spare Parts List									
	Description	Part #	GS 100	GS 200	GS 300	GS 400	GS 500	GS 600	
1	Transformer 24/16V 15VA	1505760	1	1	1	1	1	1	
2	Transformer 208-24Vac 250VA	1506719	1	1	1	1	1	1	
	Fuse 6.25 Amp for 208V transformer	1505020	1	1	1	1	1	1	
3a	LCD Display Assembly	1507741	1	1	1	1	1	1	
3b	LCD Mounting Bracket	1506951	1	1	1	1	1	1	
3c	On-Off-Drain Switch	1453001	1	1	1	1	1	1	
4	Logic Control Board	1505762	1	1	1	1	1	1	
5	I/O Board	1504760	1	1	1	1	1	1	
6	Ignition Control Module	1505987	1	2	3	4	5	6	
7	Slotted wire duct	1506041	order by length required						
8	Relay Mount Socket	1703250	1	1	1	1	1	1	
9	Blower Relay	1453020	1	1	1	1	1	1	
10	Thermostat, On/Off, 80F	1508042	1	1	1	1	1	1	
11	Electrical Cabinet	1506989	1	1	1	1	1	1	
12	Front Panel	1507783	1	1	1	1	1	1	
13	Access Door, Electronics	1507801	1	1	1	1	1	1	
14	Access Door, Tank	1507800	1	1	1	1	1	1	
15	Left Panel	Mini 1508096	1						
		Single 1508095		1					
		Double 1507861			1	1			
		Triple 1507804					1	1	
16	Top Cap Assembly	Mini 1508100	1						
		Single 1508099		1					
		Double 1507863			1	1			
		Triple 1507806					1	1	
17	Display Bracket Holder	1506950	1	1	1	1	1	1	
18	Female to Female Coupling	3" Dia. 1508136	1						
		4" Dia 1508135		1					
		5" Dia 1507886			1	1			
		6" dia 1507880					1	1	
19	Vent Pipe, 24" Long	3" Dia 1508132	1						
		4" Dia 1508131		1					
		5" Dia 1507888			1	1			
		6" dia 1507882					1	1	
20	Chimney Flashing,	for 3" vent pipe 1508138	1						
		for 4" vent pipe 1508137		1					
		for 5" vent pipe 1507885			1	1			
		for 6" vent pipe 1508150					1	1	
21	Storm Collar,	for 3" vent pipe 1508140	1						
		for 4" vent pipe 1508139		1					
		for 5" vent pipe 1507890			1	1			
		for 6" vent pipe 1507884					1	1	
22	Vent Pipe, 12" Long	3" Dia 1508134	1						
		4" Dia 1508133		1					
		5" Dia 1507884			1	1			
		6" dia 1507881					1	1	
23	Rain Cap	Mini 1508130	1						
		Single 1508129		1					
		Double 1507889			1	1			
		Triple 1507883					1	1	
24	Cooling Fan	1507891	1	1	1	1	1	1	

25	Fan Hood	1507811	1	1	1	1	1	1
26	Cover Plate Top Panel	1508109	1	1	1	1	1	1
27	Gasket, Steamline	100 1508105	1					
		200/300 1507872		1	1			
		400/500/600 1507871				1	1	1
28	Cover Plate Steam Line	100 1508106	1					
		200/300 1507870		1	1			
		400/500/600 1507810				1	1	1
29	Step-up transformer (120/240V option)	1508167	1	1	1	1	1	1
30	Mounting bracket, step-up transformer	1507759	1	1	1	1	1	1
31	Mid Cross Member	Mini 1506958	1					
		Single 1506978		1				
		Double 1506983			1	1		
		Triple 1506972					1	1
32	Gas Line Bracket	1506960	1	1	2	2	2	2
33	Rear Frame Element	1506963	1	1	1	1	1	1
34	Rear Panel	1507785	1	1	1	1	1	1
35	Cross Member	Mini 1506957	2					
		Single 1506979		2				
		Double 1506981			2	2		
		Triple 1506971					2	2
36	Mounting bracket, float chamber	1508114	1	1	1	1	1	1
37	Front Frame	1506959	1	1	1	1	1	1
38	Right Panel	Mini 1508087	1					
		Single 1508097		1				
		Double 1507862			1	1		
		Triple 1507803					1	1
39	Access Door, Side	1507801	1					
		1507800		1			2	2
		1507860			1	1		
40	Base Assembly	Mini 1508123	1					
		Single 1508122		1				
		Double 1508017			1	1		
		Triple 1508018					1	1
41	Lifting Lug	1507901	4	4	4	4	4	4
42	Pump House Heater 500 watts	1508039	1	1	2	2	3	3
43	Mounting Bar Pump House Heater, Mini	1508113	2					
		Single 1508112		2				
		Double 1508111			2	2		
		Triple 1508164					2	2
44	Strapping, Pump House Heater	1508110	1	1	2	2	3	3