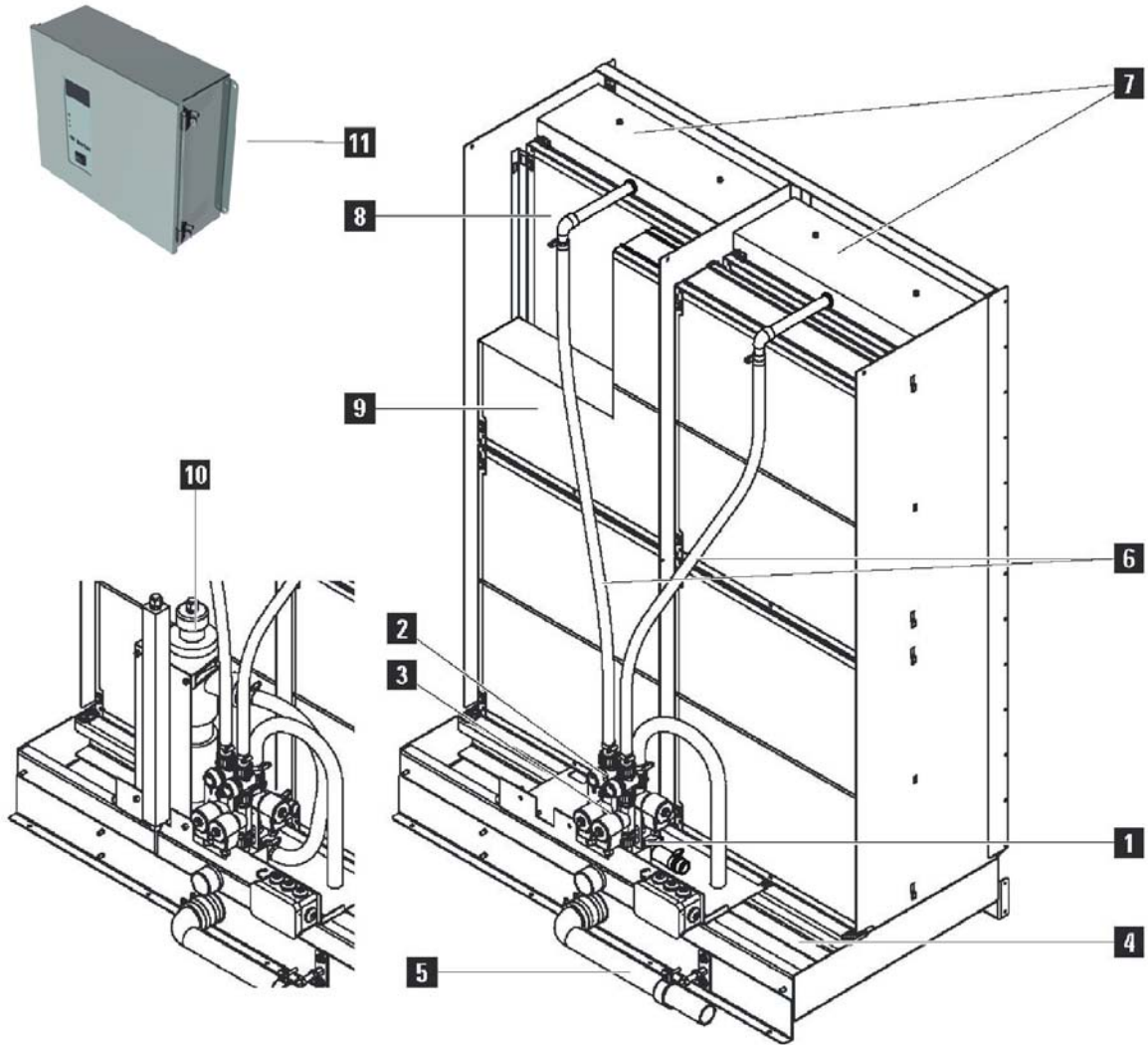


MHTC Flow - Construction Model



#	Description
1	Water connection on unit r 3/4 " (outside thread)
2	Volume controlling valves (adjustable manually)
3	Step valves (1 to 3)
4	Water tub
5	Open drain (outside diameter 1.5" pvc (1.66" (42 mm) od)
6	Water hoses
7	Spray bar cap with distribution pipes
8	Humidification boxes
9	Mist eliminator (for air speed above humidification boxes >750 fpm) (3.8 m/s)
10	UV water treatment (option)
11	MHTC Total Control Unit

Figure 4: Construction Model - MHTC Flow