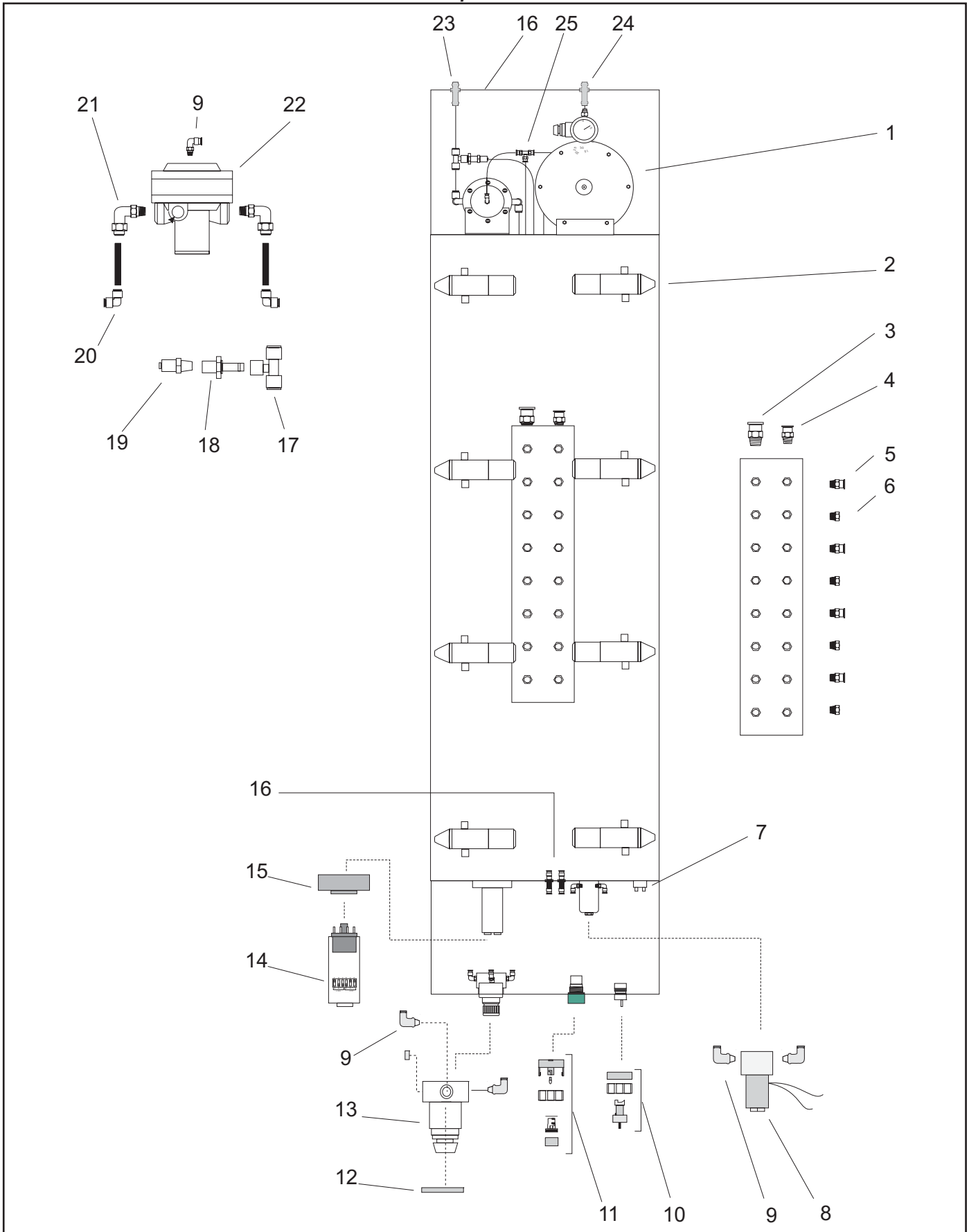


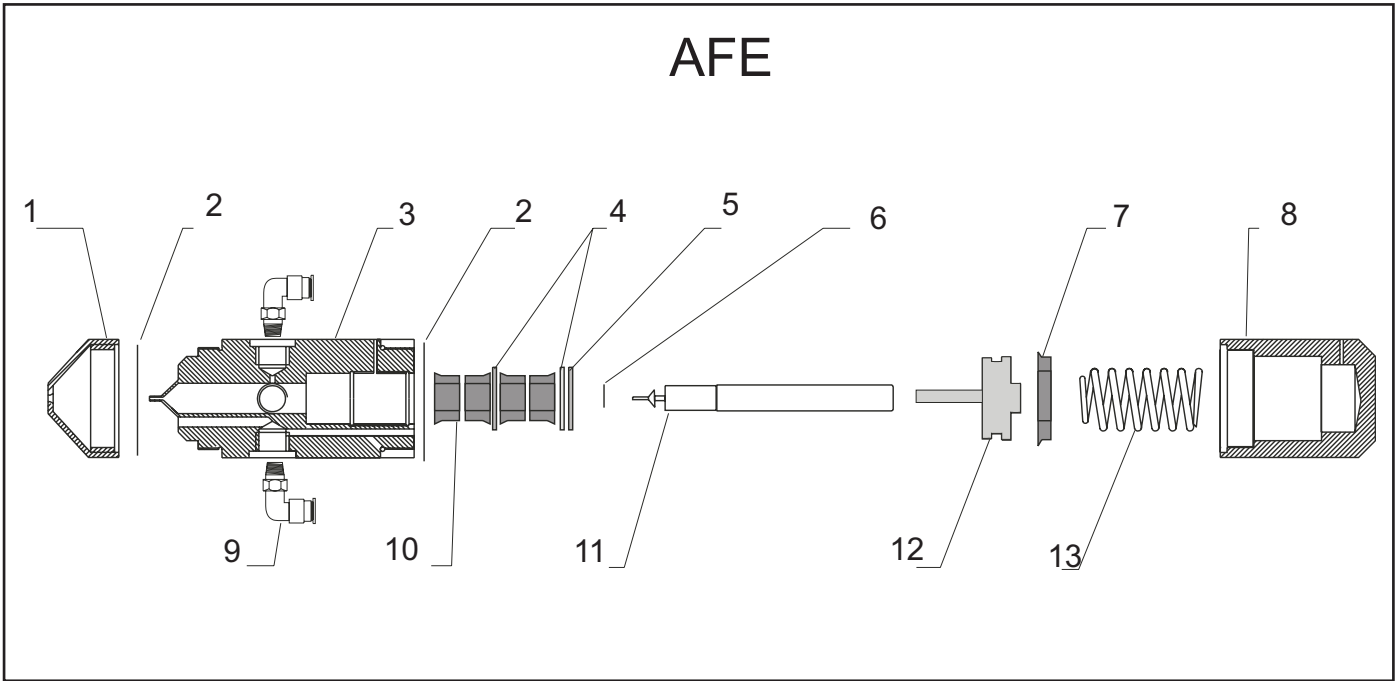
Figure #25

Octo Exploded Views



ITEM	PART #	DESCRIPTION	OCTO			OCTO PLUS		
			4	6	8	4	6	8
1	160-8000	Vacuum Valve For Octo	1	1	1	1	1	1
2	160-9209	AFE Nozzle	4	6	8	4	6	8
3	160-5233	Fttg Male Straight 1/2" - 3/8" NPT	1	1	1	1	1	1
4	160-5232	Fttg Male Straight 3/8" - 1/4" NPT	1	1	1	1	1	1
5	160-5213	Fttg Male Straight 1/4" T - 1/8" NPT	8	12	16	8	12	16
6	160-5248	Fttg Plug Plastic 1/8" NPT	8	4	0	8	4	0
7	160-3907	LV Strip 7 Point	0	0	0	1	1	1
8	160-3062	3-Way Solenoid Valve 24 VAC	0	0	0	1	1	1
9	160-5202	Fttg Male Swivel 1/4" T 1/8" NPT	1	1	1	6	6	6
10	160-3020	On/Off Switch Assembly	0	0	0	1	1	1
11	160-3021	Pilot Lamp Assembly	0	0	0	1	1	1
12	160-3006	Plastic Panel Nut	0	0	0	1	1	1
13	160-3001	Regulator Air Panel Mount	0	0	0	1	1	1
14	160-3050	Repeat Cycle Timer	0	0	0	1	1	1
15	160-3051	Mount For Timer 8 Pin Socket	0	0	0	1	1	1
16	160-5208	Bulkhead Union 1/4" T	1	1	1	2	2	2
17	160-5241	Fttg Plastic Union Tee 1/2" T	0	0	0	1	1	1
18	160-5242	Fttg T Stem AD 1/2" T - 1/4" NPT	0	0	0	1	1	1
19	160-5243	Fttg Plastic 1/4" T 1/4" NPT	0	0	0	1	1	1
20	160-5240	Fttg Plastic Elbow 1/2" T	0	0	0	2	2	2
21	160-5235	Fttg Elbow 1/2" T 3/8" NPT	0	0	0	2	2	2
22	160-3112	Regulator Pilot Air	0	0	0	1	1	1
23	160-5231	Bulkhead Union 1/2" T	1	1	1	1	1	1
24	160-5230	Bulkhead Union 3/8" T	1	1	1	1	1	1
*	160-1038	Bulkhead Union 3/8" T SST	1	1	1	1	1	1
25	160-5201	Fttg Union Tee 1/4" T	1	1	1	1	1	1

Figure #26
Nozzles Exploded Views



ITEM #	PART #	DESCRIPTION	AFE
1	160-4002	Nose Cone	1
2	160-4009	O-Ring Seal	2
3	160-4001	AFE Body	1
4	160-4008	Flat Washer	2
5	160-4038	Retaining Clip SST	2
6	160-4124	O-Ring Valve Seat	1
7	160-4011	Piston Seal	1
8	160-4003	AFE End Cap	1
9	160-5202	Swivel Male Elbow	2
10	160-4010	Rod Seal	4
11	160-4040	Cleaning Needle	1
12	160-4039	Piston	1
13	160-4036	Spring	1

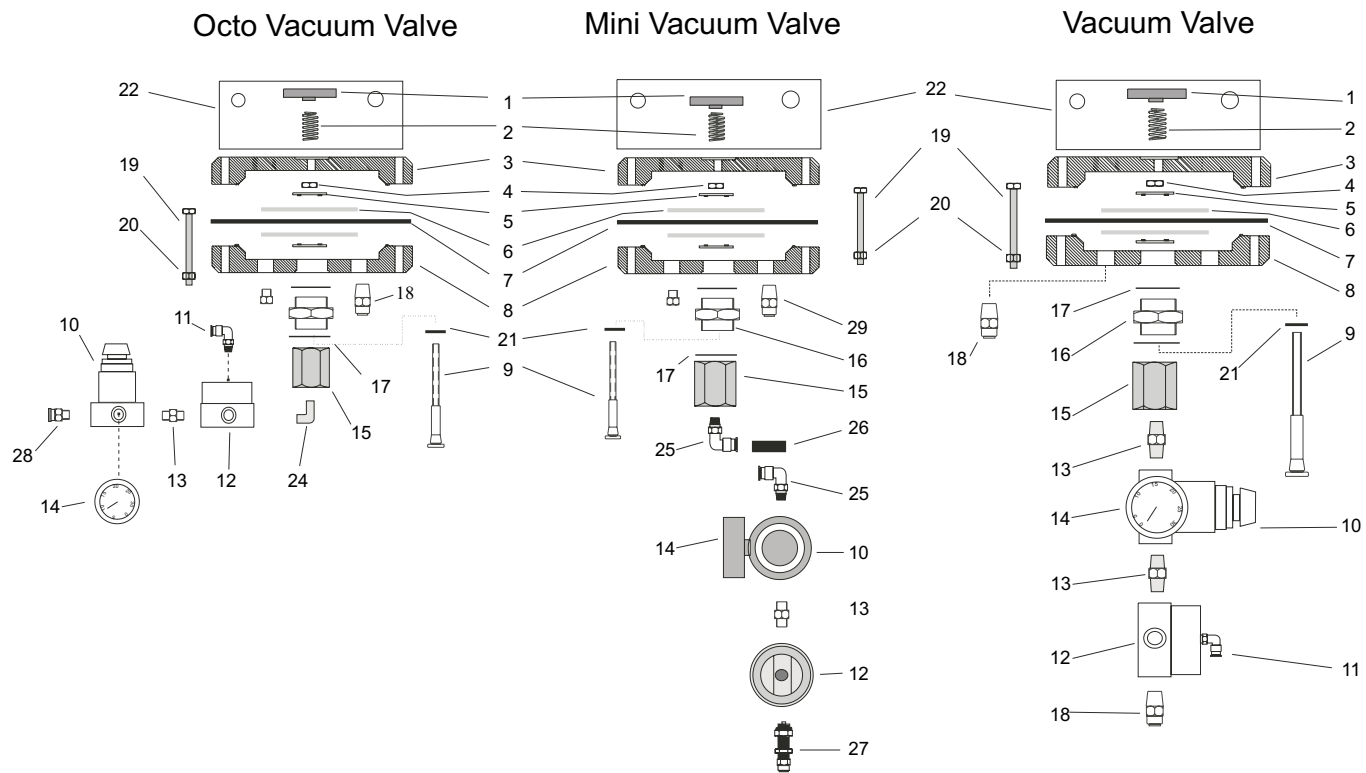
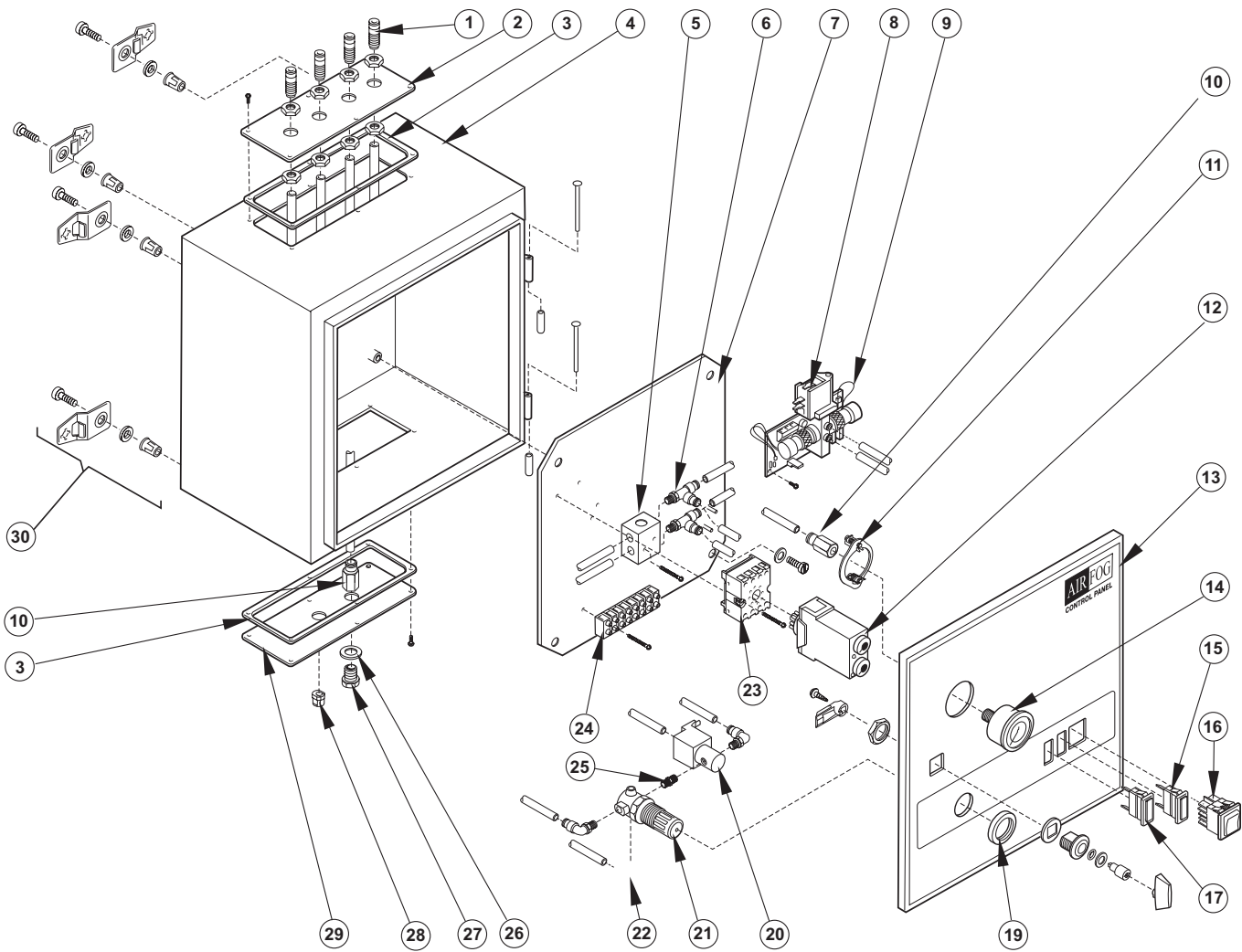


Figure #27
Vacuum Valve Exploded Views

ITEM #	PART #	DESCRIPTION	OCTO	MINI	STANDARD
1	160-4027	Thumb Wheel	1	1	1
2	160-4006	Spring SS 1.5 in	1	1	1
3	160-4021	V.V. Top Plate	1	1	1
4	160-4033	Nut 1/4" UNF SST	1	1	1
5	160-4034	Washer Self Sealing	2	2	2
6	160-4026	Polypropylene Disc	2	2	2
7	160-4025	Diaphragm 1/16 Neoprene	1	1	1
8	160-4020	V.V. Bottom Plate	1	1	1
9	160-4024	Valve Stem	1	1	1
10	160-3002	Panel Mount Water Reg. 1/4" P	1	1	1
*	160-3114	Panel Mount Water Reg. 1/4" P SST for DI	1	1	1
11	160-5202	Swivel Male Elbow 1/8" NPT	1	1	1
12	160-3104	Pilot Water Regulator	1	1	1
*	160-3110	Pilot Water Regulator SST for DI	1	1	1
13	160-1019	Ftfg Nipple 1/4" NPT hex x 1	0	0	1
*	160-1044	Ftfg Nipple 1/4" NPT hex x 1 Plastic	0	0	1
14	160-3008	Pressure Gauge 1-1/2" 1/8 CB 0-30	1	1	1
15	160-4022	Valve Body	1	1	1
16	160-4023	Valve Seat	1	1	1
17	160-4122	O-Ring Body Valve #118	2	2	2
18	160-5217	Ftfg 3/8" T 1/4" NPT	1	0	3
19	160-4028	Bolt 1/4 x 2 UNF	6	6	6
20	160-4029	Nut 1/4" c/w star washer	6	6	6
21	160-4031	O-Ring	1	1	1
22	160-4032	Bracket Wall Mounting	1	1	1
23	160-5249	Plug 1/4" NPT Plastic	1	1	0
24	160-1018	Ftfg Elbow 1/4" NPT Brass	1	0	0
*	160-5218	Ftfg Elbow 1/4" NPT SST	1	0	0
25	160-5219	Ftfg 3/8" Tube - 1/4" NPT	0	2	0
26	160-5226	3/8" Tube Plastic	0	2.25"	0
27	160-1036	Ftfg 3/8" Tube - 1/4" NPT Bulkhead Adapt	0	1	0
28	160-5230	Ftfg Bulkhead 3/8" Tube	1	0	0
*	1601038	Ftfg Bulkhead 3/8" -1/4" NPT	1	1	0
29	1605205	Male Connector 1/4" NPT	0	2	0

Figure #28
Control Panel Exploded Views



ITEM #	PART #	DESCRIPTION	MINI I/II	AFE
1	160-5208	Bulkhead union 1/4" tube	3 / 5	2
2	160-7050	Top cover plate	0	1
3	160-7039	Gasket for cover plate	2	2
4	160-7030	AFE enclosure	1	1
5	160-0027	Valve 4-way 24 Vac solenoid	0	0
6	160-5201	Union tee manifold panel	1 / 2	0
7	160-7037D	Back plate	1	1
8	160-3080	Pressure switch (modulation only)	0	0
8b	160-3081	Pressure switch (modulation only)	0	1
9	150-6260	E/P converter (modulation only)	0	1
10	160-5203	Fitting female union 1/4" - 1/8" NPT	1	2
11	160-3009	Mounting bracket for 160-3003	1	1
12	160-3050	Repeat cycle timer	1	1
13	160-7043	Control panel door	1	1
14	160-3200	Pressure gauge panel mtg bars	1	1
15	149-3096	Lamp green indicator	1	1
16	145-3001	Switch on/off	1	1
17	160-3023	Lamp amber indicator	1	1
19	160-3006	Plastic panel nut	1	1
20	160-3062	Valve 3-way 24 Vac solenoid	0	1
21	160-3001	Regulator panel mount air	1	1
22	160-5202	Fitting swivel male elbow	4	3
23	160-3051	Mount for timer 8 pin	1	1
24	145-3907	Control Strip LV 7 position	1	1
25	160-1010	Nipple male 1/8" NPT x 1 brass	1	1
26	160-1081	Washer nylon	0	1
27	160-1080	Silencer 1/8" NPT brass	0	1
28	160-3036	Strain relief bushing	1	1
29	160-7051	Bottom cover plate	0	1
29b	160-7052	MINI bottom cover plate	1	0
30	160-7029	Mounting bracket for 160-7030		