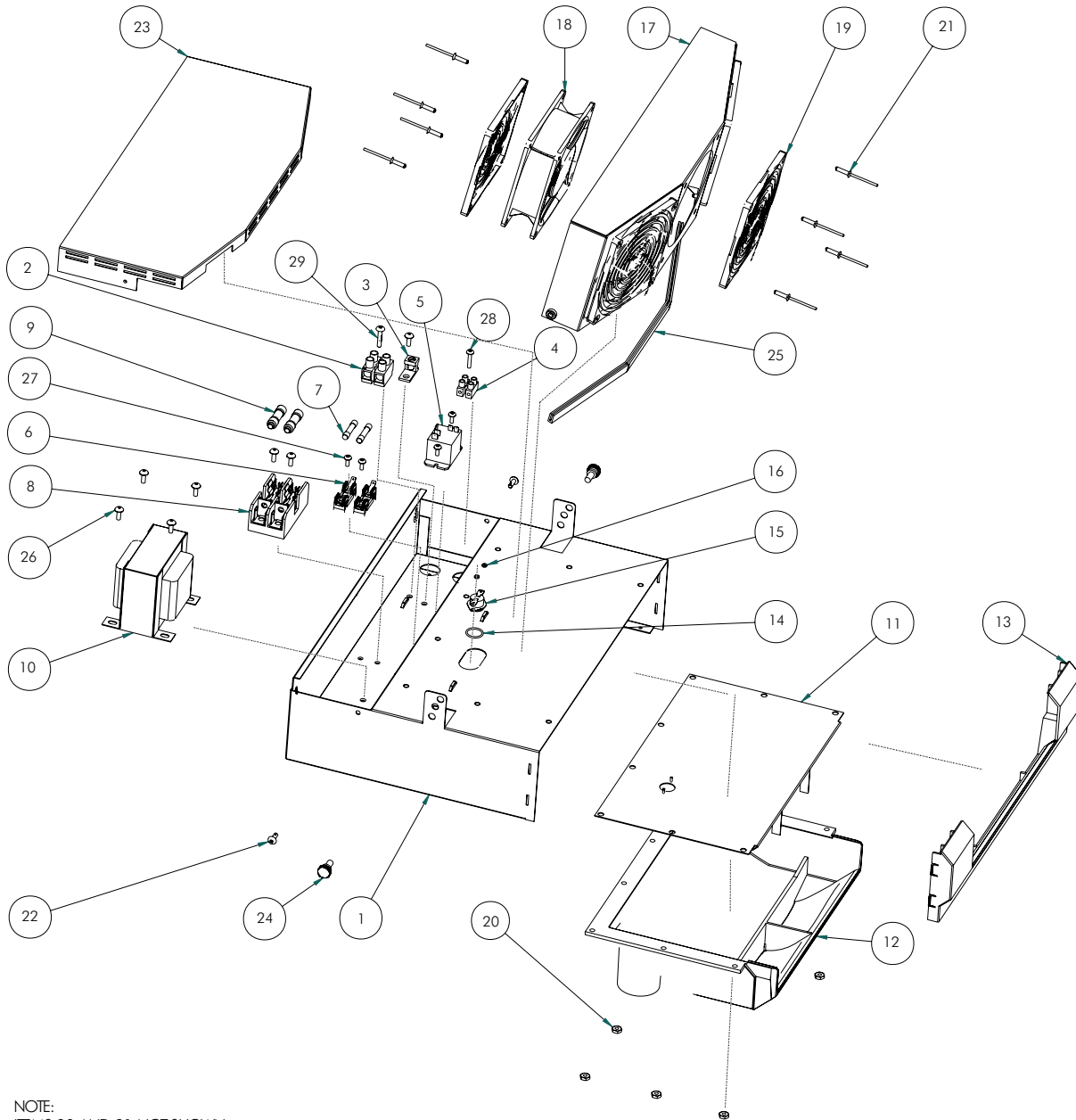


EXPLODED VIEW OF THE BLOWER PACK



NOTE:
 ITEMS 30 AND 31 NOT SHOWN.
 ITEM 30 CAN REPLACE ITEM 18 AND ITEM 31 CAN REPLACE
 ITEM 10 IN DIFFERENT WORKING CONFIGURATIONS.

OPTIONAL BLOWER PACK REPLACEMENT PARTS FOR NH, SE, GS models			
Item	Part Number	Description	Qty
1	2522174	Cabinet, Shell, Blower Pack	1
2	1473002	Terminal Block 2 Pole - WECO P/N 327-FU	1
3	1323020	Ground Clamp	1
4	1323082	Terminal Strip 2 Pole	1
5	2522070	Relay 30A 115V SPDT	1
6	1453055	Fuse Holder for MDA, S.O Term	2
7	2524202	Fuse 0.75amp 250V 0.25x1.25 slow blow	2
8	2524083	Fuseblock 2 pole for 2524082	1
9	2524082	Fuse 1 amp 600V, HCTR Slow Blow (Edison)	2
10	2522064	TX 100VA 115-208 230 277	1
11	2522177	Plate SS, Distributor, Blowerpack	1
12	2522179	Distributor plastic Blower Pack	1
13	2522178	Distributor Faceplate Blower Pack	1
14	1475005	Thermostat O-Ring	1
15	1073005	Thermostat Control (Non-Reset)	1
16	2524056	Hex Nut #2-56,Steel Zn plated	2
17	2522176	Cabinet, Fan Housing, Blowerpack	1
18	2522065	Fan Box 115V 110CFM 120x120x38mm	3
19	1504281	Fan cover 4in	6
20	1708808	Hex Nut #10-32,SS	8
21	2524080	Screw Selftapping, lin, #10-32, Philips Flat Head	24
22	1325032	Screw 8-32 x 0.5 TA	2
23	2522175	Cabinet, Cover, Blower Pack	1
24	2522200	Thumb screw .250-20 x .5" lg, nylon	2
25	2524057	Fan Box 115V 130CFM 120x120x38mm	1
26	2524204	TX 100VA 115-380V, 50-60 Hz	1
27	1328650 (1)	RW25 Rubber Extrusion	1