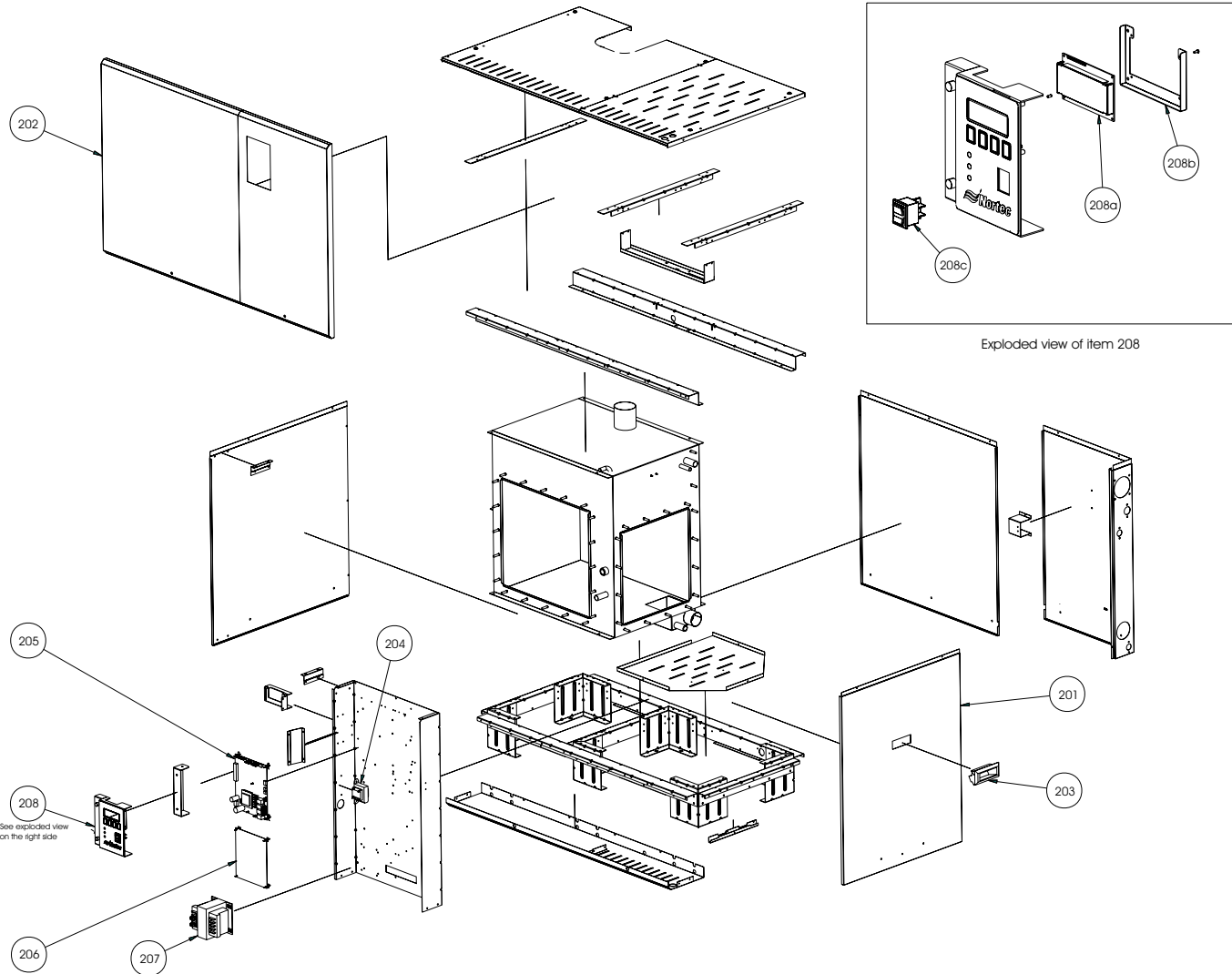


## SE Series Spare Parts List - Internals

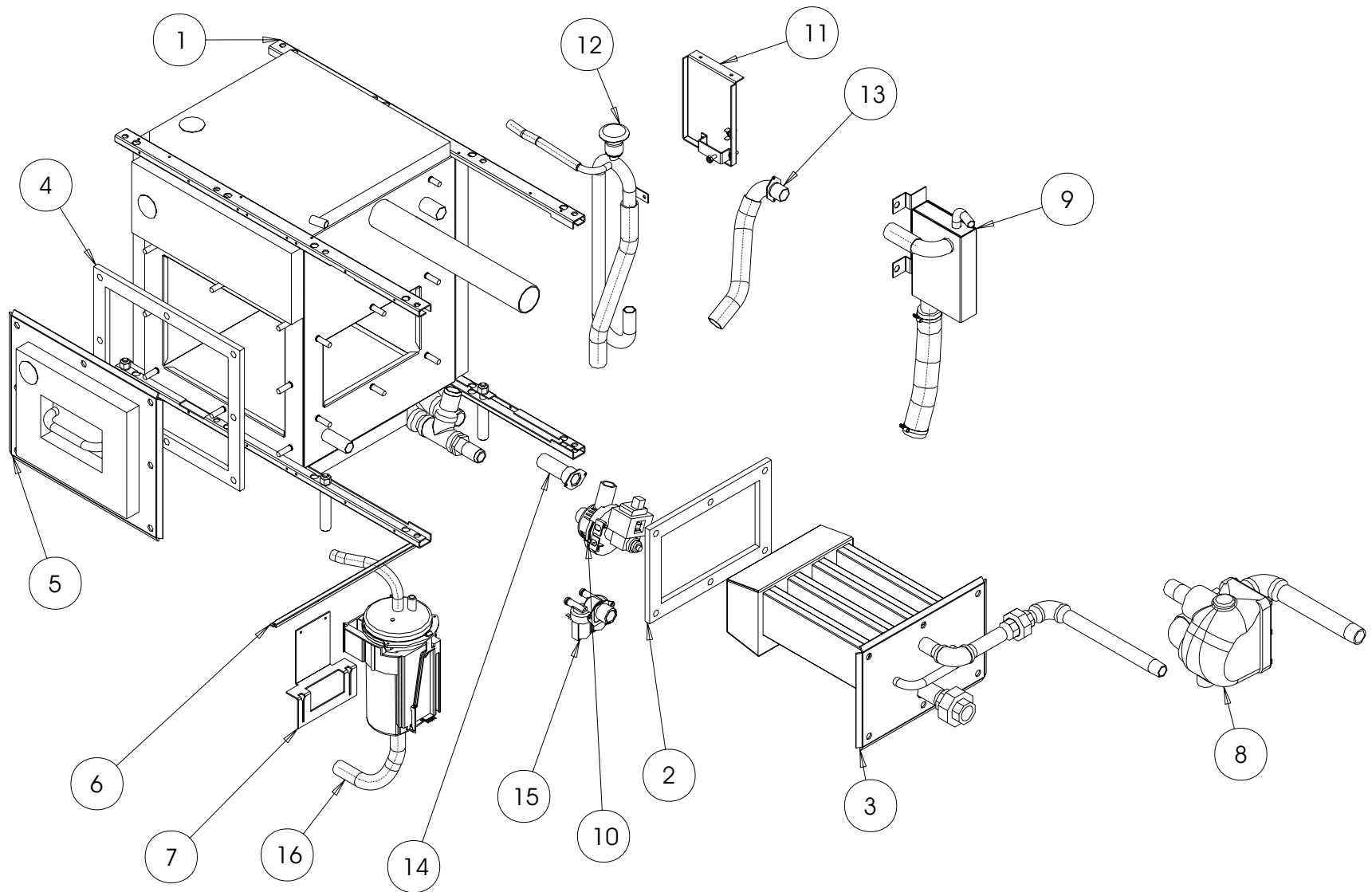
Item #	Description	Part #	Quantity per unit							
			SE100	SE175	SE 250	SE 375	SE 475	SE 675	SE 950	SE1050
101	Cover Plate, Clean-Out Port	2523457	1	1	1	1	2	2	3	3
102	Gasket, Tank Cover Plate	2524361	1	1	1	1	2	2	3	3
103	Fill Box	2526152	1	1	1	1	1	1	1	1
104	Vacuum Break Valve 1/2"npt	1505959	1	1	1	1	1	1	1	1
105	P-Trap	2526521	1	1	1	1	1	1	1	1
106	Heat Exchanger Gasket									
	Single	2524405	1	1						
	Dual	2524403			1	1	2	2	3	3
107	Dual Fill Valve 10.0 l/min & 0.35 l/min	1505759	1	1	1	1	1	1	1	1
108	Auxilliary Drain Termination	1506925	1	1	1	1	1	1	1	1
109	Steam Trap, 15psi	1508849	1	1	1	1	2	2	3	3
110	Heat Exchanger Replacement Kit									
	Mini	2530901	1	1						
	Single	2530902			1	1	2	2	3	3
111	Drain Pump 24v 60 hz	1502644	1	1	1	1	1	1	1	1
112	Lower Mixing Box	1506749	1	1	1	1	1	1	1	1
113	Tank Thermal sensor	1506026	1	1	1	1	1	1	1	1
114	Float Chamber	1115933	1	1	1	1	1	1	1	1
115	Float Chamber Mounting Bracket	1113777	1	1	1	1	1	1	1	1
116	Float Board	2511137	1	1	1	1	1	1	1	1



SE 100-1050  
Indoor Cabinetry - Exploded View  
July 2007

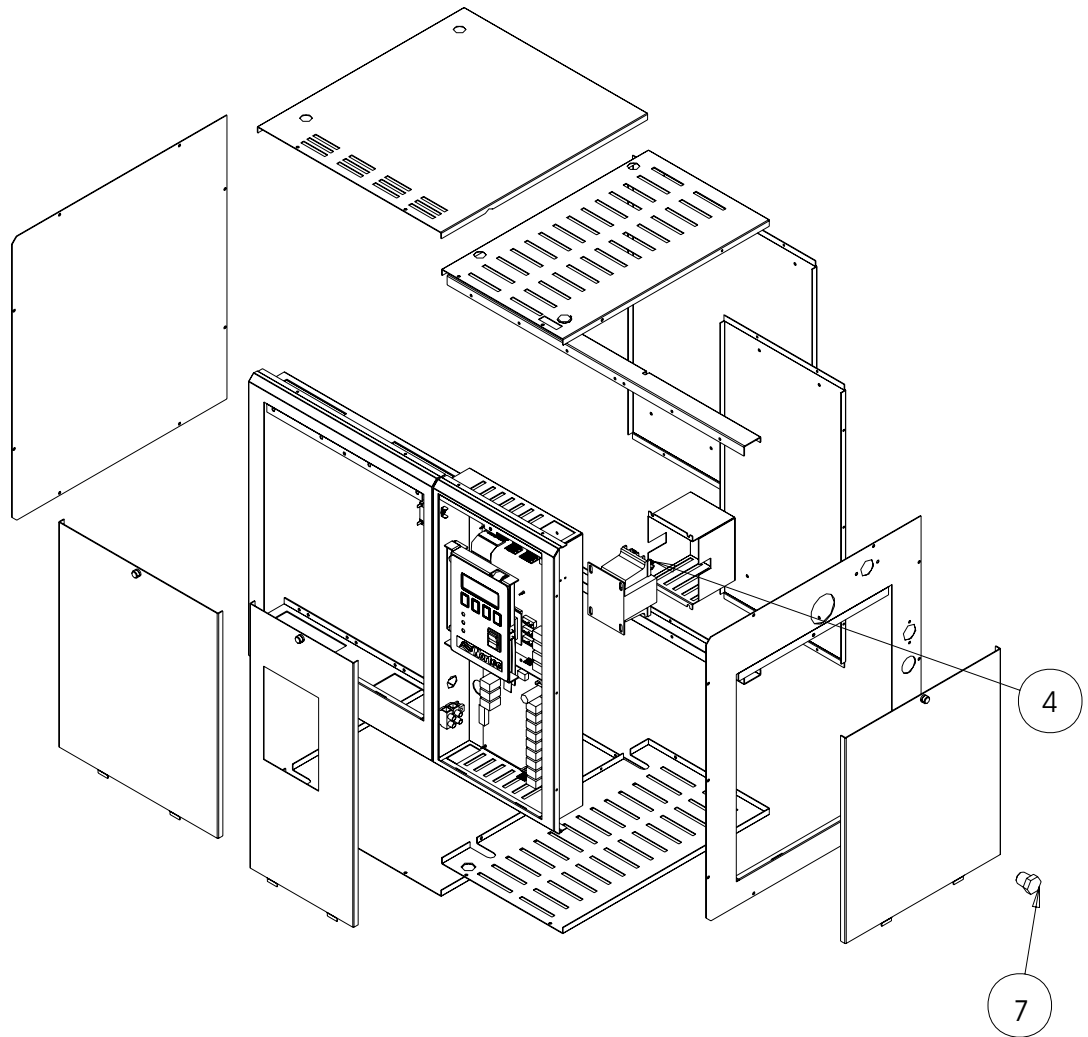
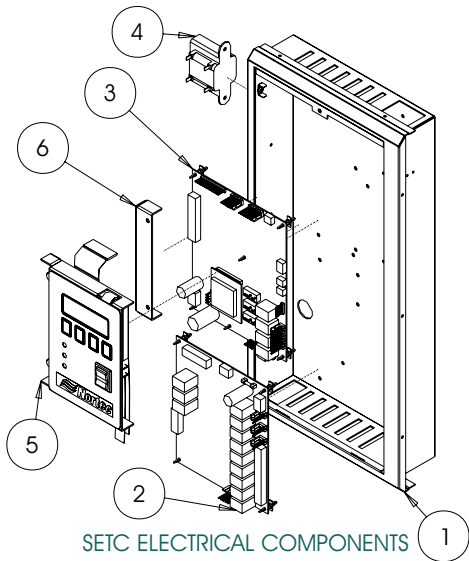
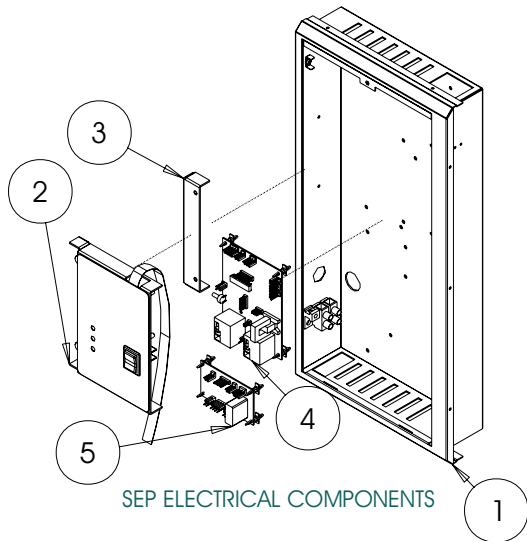
## SE Series Spare Parts List - Cabinetry

Item #	Description	Part #	SE100	SE175	SE 250	SE 375	SE 475	SE 675	SE 950	SE1050	
201	Service Door Assembly										
	Mini	2524439	1	1							
	Single	2524440			1	1					
	Double	2524441					1	1			
	Triple	2524458							1	1	
202	Front Door Assembly	2528421	1	1	1	1	1	1	1	1	
203	Recessed Handle	2523444	1	1	1	1	2	2	2	2	
204	Transformer 24/16V 15VA 50/60 hz	1505760	1	1	1	1	1	1	1	1	
205	Control Board										
	SETC units	1508357	1	1	1	1	1	1	1	1	
	SEP units	1508577	1	1	1	1	1	1	1	1	
206	I/O Board (SETC units)	1504760	1	1	1	1	1	1	1	1	
	LED Board (SEP units)	1508619	1	1	1	1	1	1	1	1	
207	Transformer, 120/24V, 150VA	1504859	1	1	1	1	1	1	1	1	
	Fuse for Transformer, 6.25 Amp	1505020	1	1	1	1	1	1	1	1	
208a	LCD Display Assembly	1507741	1	1	1	1	1	1	1	1	
b	LCD Mounting Bracket	1506951	1	1	1	1	1	1	1	1	
c	On-Off-Drain Switch	1453001	1	1	1	1	1	1	1	1	
	Slotted Wire Duct (not shown)	1506041	order by length required								



## SE Spare Parts List - Internals

<u>Item</u>	<u>Description</u>	<u>Part No.</u>	<u>SE 50</u>
1	Tank Replacement Kit, SE50	2520458	1
2	Gasket, Tank/H.E. Assembly, SE50	1510179	1
3	Heat Exchanger Replacement Kits, SE50	2520460	1
4	Gasket, Clean Out Port, SE50	1510180	1
5	Cover Plate Kit, Clean Out Port, SE50	2520461	1
6	Rail, Float Chamber Support, SE50	2520241	1
7	Bracket, Float Chamber Mount, SE50	2520240	1
8	F&T Trap Assembly, with Plumbing, SE50	1500181	1
9	Fill Box Assembly with Connections, SE50	2520235	1
10	Pump Drain, 24VDC, 60HZ (DPS 25-119)	1502644	1
11	P Trap Mount Assembly, SE50	2520137	1
12	P Trap Assembly, Complete, SE50	1510187	1
13	Termination Assembly with Connections, SE50	2520236	1
14	Auxiliary Drain Termination	1506925	1
15	Dual Fill Valve, 5.5L -.35 L/Min	1704234	1
16	Float Chamber Assembly, with Board and Connections, SE50	2520239	1
<p><b>NOTE:</b> Kits include fastening hardware such as nuts and washer assemblies will include hoses and clamps for item 16, float board may be ordered seperatly p/n: 1114913</p>			



## SE Spare Parts List - Cabinetry

<b>SETC Electrical Components</b>			
<b>Item</b>	<b>Description</b>	<b>Part No.</b>	<b>SE 50</b>
1	Panel Assembly, Electrical Front, Cabinet SE50	2520268	1
2	I/O Board, GS-SE Series	1504760	1
3	SETC Logic Board Assembly	1508357	1
4	Transformer 24/16V, 15VA	1505760	1
5	SETC, Display-Keypad Assembly, SE50	2520274	1
6	Bracket, Assembly, Key Pad Mount, Cabinet, SE50	2520272	1
Not Shown	Wire Harness SETC	2520808	1
<b>SEP Electrical Components</b>			
<b>Item</b>	<b>Description</b>	<b>Part No.</b>	<b>SE 50</b>
1	Panel Assembly, Electrical Front, Cabinet SE50	2520268	1
2	SEP Display / Keypad Assembly, SE50	2520279	1
3	Bracket, Assembly, Key Pad Mount, Cabinet, SE50	2520272	1
4	SEP Control Board	1508577	1
5	SEP, Led Board Assembly	1508619	1
Not Shown	Wire Harness SEP	1508352	1
<b>SE50 Spare Parts List - Cabinetry</b>			
<b>Item</b>	<b>Description</b>	<b>Part No.</b>	<b>SE 50</b>
1	Panel Assembly, Electrical Front, Cabinet SE50	2520267	1
2	I/O Board, GS-SE Series	2520267	1
3	SETC Logic Board Assembly	2520270	1
4	Transformer 24/16V, 15VA	2520313	1
5	SETC, Display-Keypad Assembly, SE50	2520271	1
6	Bracket, Assembly, Key Pad Mount, Cabinet, SE50	2520281	1
7	Pipe Plug, 1/2 NPT	1507043	1
Not Shown	Fuse For Transformer	1505020	1